

RHINO-RACK

QMW05

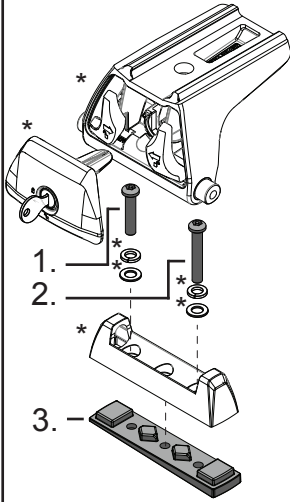
CONTROLLED

Item	Component Name	Qty	Part No.
1	M6x20 Button Security Screw	2	B062
2	M6x23 Button Security Screw	2	B132
3	5mm Wedge for RLT600	2	M771
4	Instructions	1	R669

***Note:**
RLT600 Parts as separate

Tools Required:

5mm Allen Key



Issue: 01 Document No: R669

Prepared: Kayle Everett

RHINO-RACK

QMW05

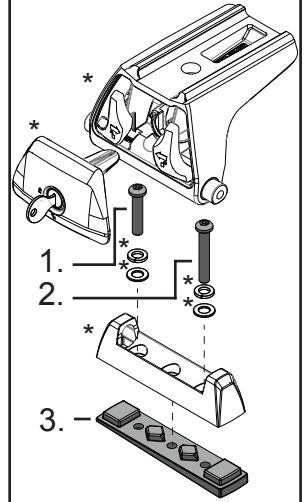
CONTROLLED

Item	Component Name	Qty	Part No.
1	M6x20 Button Security Screw	2	B062
2	M6x23 Button Security Screw	2	B132
3	5mm Wedge for RLT600	2	M771
4	Instructions	1	R669

***Note:**
RLT600 Parts as separate

Tools Required:

5mm Allen Key



Issue: 01 Document No: R669

Prepared: Kayle Everett

RHINO-RACK

QMW05

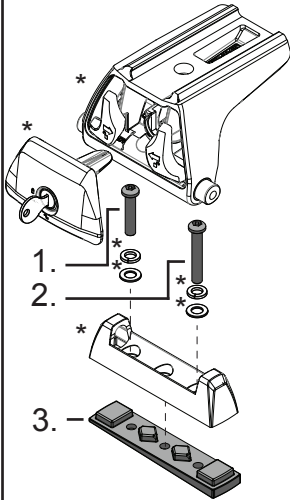
CONTROLLED

Item	Component Name	Qty	Part No.
1	M6x20 Button Security Screw	2	B062
2	M6x23 Button Security Screw	2	B132
3	5mm Wedge for RLT600	2	M771
4	Instructions	1	R669

***Note:**
RLT600 Parts as separate

Tools Required:

5mm Allen Key



Issue: 01 Document No: R669

Prepared: Kayle Everett

RHINO-RACK

QMW05

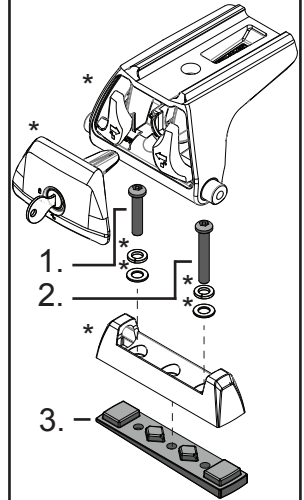
CONTROLLED

Item	Component Name	Qty	Part No.
1	M6x20 Button Security Screw	2	B062
2	M6x23 Button Security Screw	2	B132
3	5mm Wedge for RLT600	2	M771
4	Instructions	1	R669

***Note:**
RLT600 Parts as separate

Tools Required:

5mm Allen Key



Issue: 01 Document No: R669

Prepared: Kayle Everett

RHINO-RACK

QMW05

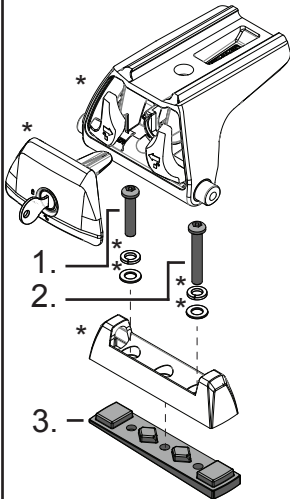
CONTROLLED

Item	Component Name	Qty	Part No.
1	M6x20 Button Security Screw	2	B062
2	M6x23 Button Security Screw	2	B132
3	5mm Wedge for RLT600	2	M771
4	Instructions	1	R669

***Note:**
RLT600 Parts as separate

Tools Required:

5mm Allen Key



Issue: 01 Document No: R669

Prepared: Kayle Everett

RHINO-RACK

QMW05

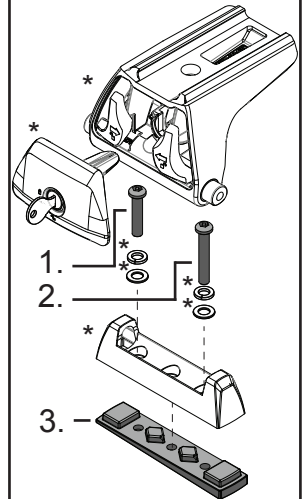
CONTROLLED

Item	Component Name	Qty	Part No.
1	M6x20 Button Security Screw	2	B062
2	M6x23 Button Security Screw	2	B132
3	5mm Wedge for RLT600	2	M771
4	Instructions	1	R669

***Note:**
RLT600 Parts as separate

Tools Required:

5mm Allen Key



Issue: 01 Document No: R669

Prepared: Kayle Everett